

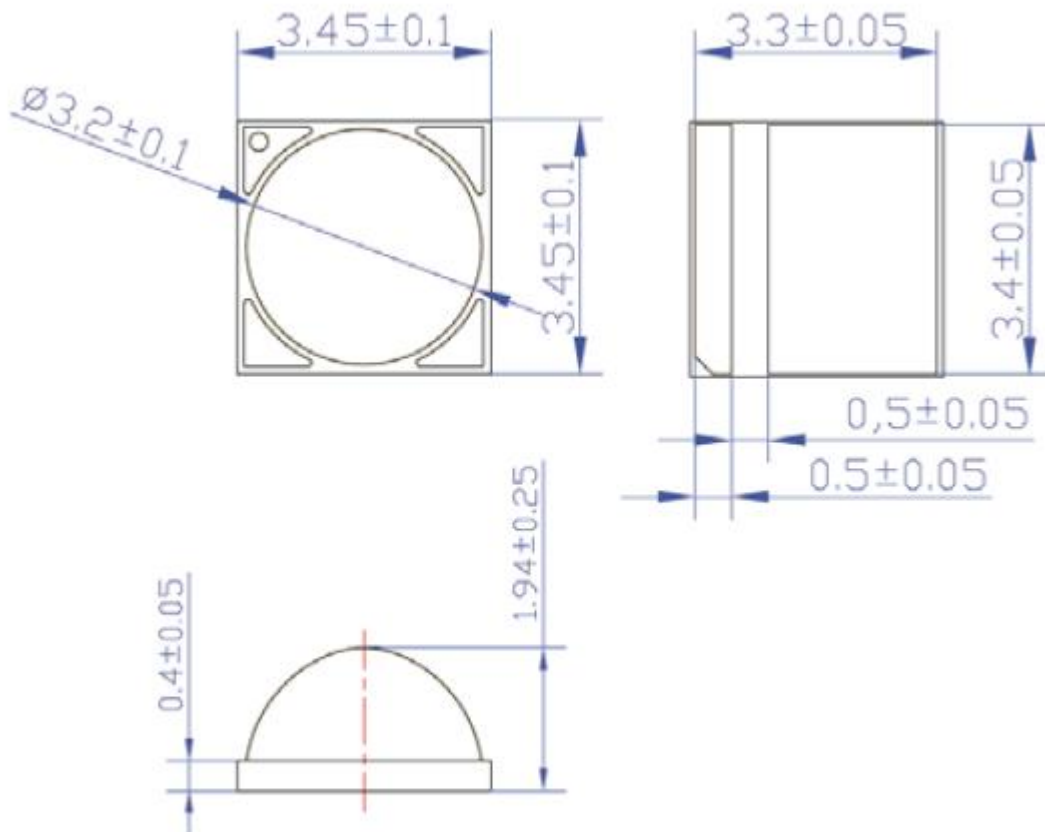
### 3535 high power 3W Infrared LED

1W or 3W power, 850nm or 940nm wavelength, Multiple illumination angles for choice. Also can provide heat sink PCB together, such as star PCB.

This LED is one of the smaller high power LED footprint available by Dongguan Zhiding Electronics Technology Co., Ltd, has offered extended solid-state lighting design possibilities.

It is designed and using copper lead frame, the best thermal material.

### Package Dimensions



Unit: (mm)

Tolerance:  $\pm 0.25$ mm

#### Product Details:

Model Number: AL-H35SLI

Brand Name: ALLIGHT

Origin: China (mainland)

Emitting color: Far red  
Wavelength/CCT: 850nm / 940nm  
Viewing angle: 45/60/90/100/140  
Chip: Taiwan Chip  
Forward current: 350-700mA  
Forward voltage: 1.6-2.3V



**Specifications:**

Warranty: 3 years  
Lifespan: >80,000 hours  
Super low decay version  
Anti-static built in  
Anti-high temperature  
Certificate: SGS  
Packing: 1000 pieces per reel + ESD box + ESD bag

**1W 3W high power 3535 IR LED Application**

# APPLICATION



Surveillance Systems/CCTV

License Plate Scanning

Automotive Sensing

Machine Vision

Night Vision

Medical hairdressing

**Welcome to receive your inquiry about 3535 IR LED, we are 24 hours online to service you.**

**WELCOME TO CONTACT US>>>>WWW.ZHIDINGLED.COM**



Oversea Sales Manager

Elsa Xiao

E-mail:sales@zhidingled.com

Skype: elsa.xiao0418

Mobile: 86-13412570091

WhatsApp: 86-13412570091

Tel: 86-769-22665151

Fax:86-769-22665155